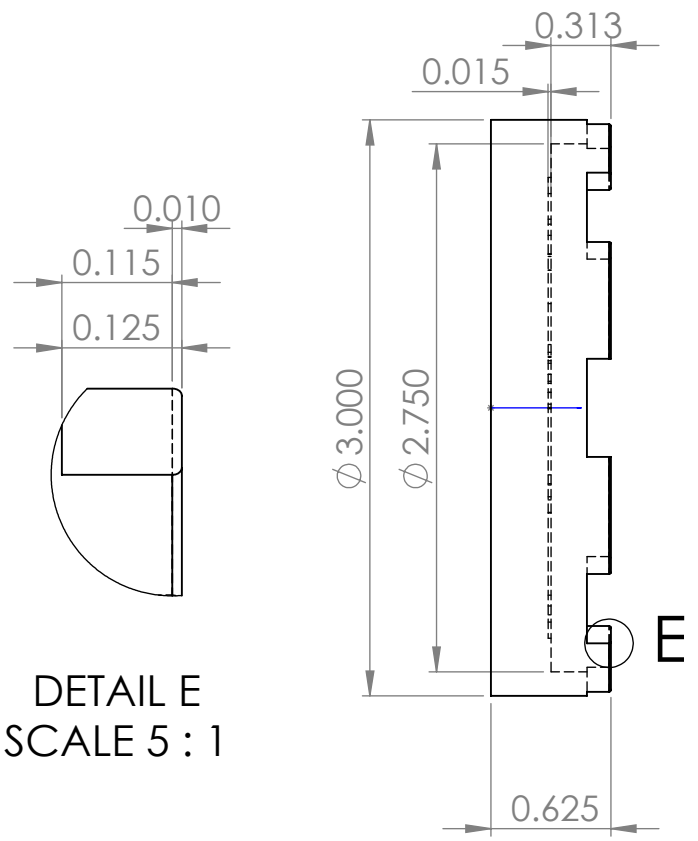


2

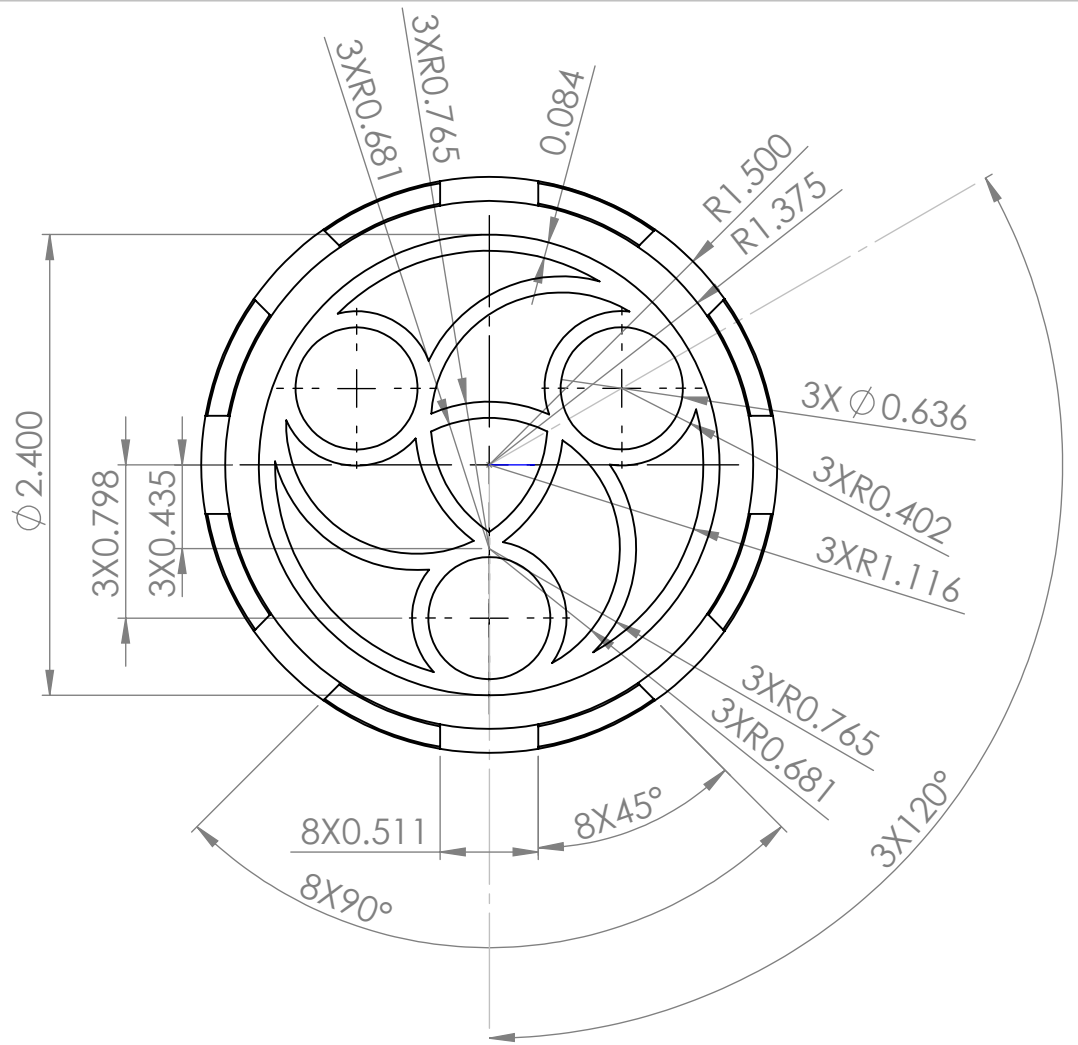
1

B

B



DETAIL E
SCALE 5 : 1



A

A

Notes:
 1-Pattern engraving depth is .015"
 2-Fillet on outer and inner edges of rim (shown in detail E) are both 90 degree arcs of R=.01"

SOLIDWORKS Educational Product. For Instructional Use Only

UNLESS OTHERWISE SPECIFIED:		KERRIE WU AND REVANTH DAMERLA	
DIMENSIONS ARE IN INCHES TOLERANCES: FRACTIONAL ± ANGULAR: MACH ± BEND ± TWO PLACE DECIMAL ± THREE PLACE DECIMAL ±		TITLE: PAPERWEIGHT	
INTERPRET GEOMETRIC TOLERANCING PER:		SIZE	REV
MATERIAL ALUMINUM		DWG. NO.	1
FINISH		A	1
DO NOT SCALE DRAWING		SCALE: 1:1	SHEET 1 OF 1

2

1